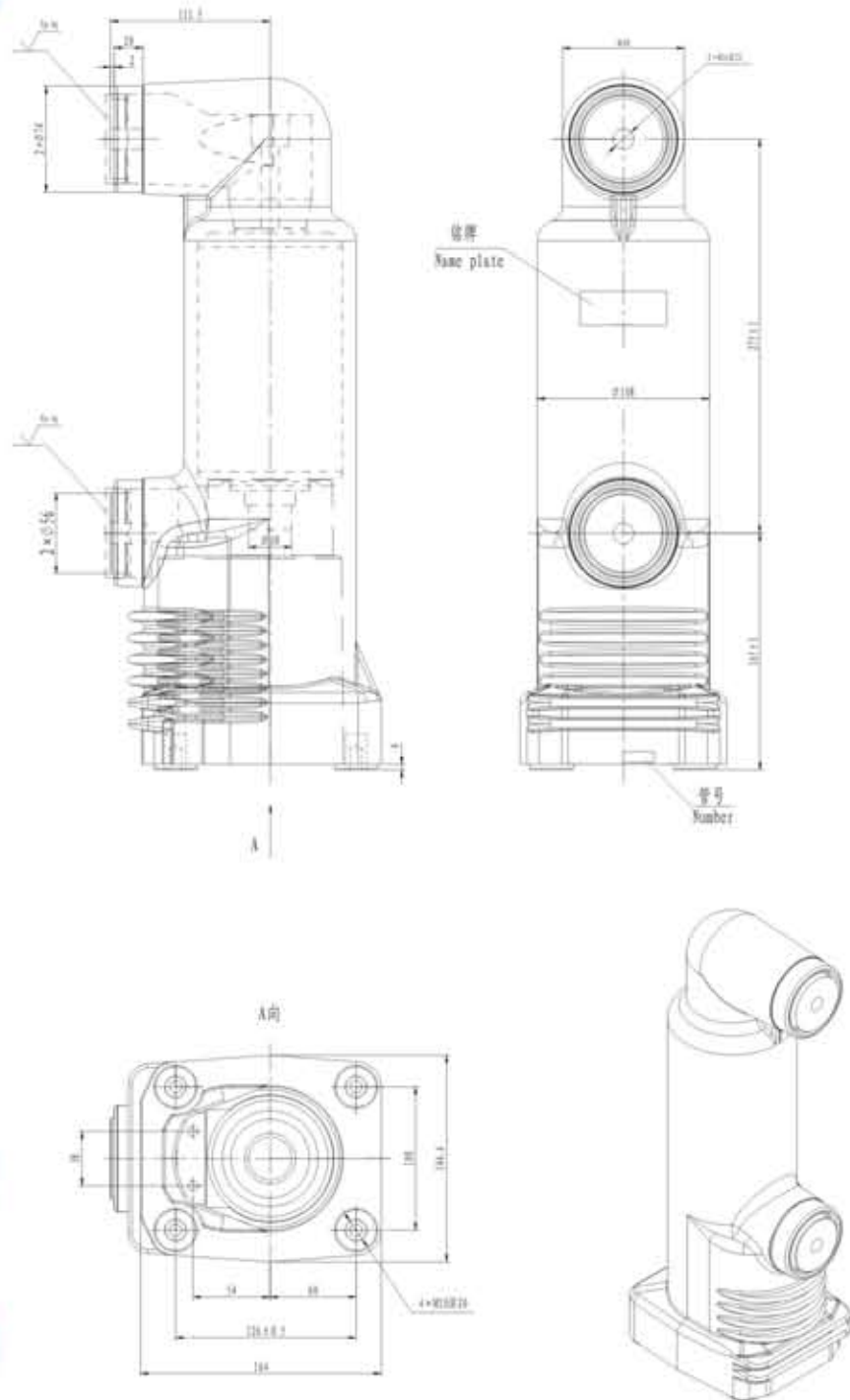


### EP-12/1250-25A

断路器用固封极柱  
EMBEDDED POLE FOR CIRCUIT BREAKER



### 技术参数说明

### Technical Specification

序号 No.	主要技术参数 Main Technical Specification	型号 Type EP-12/1250-25A
<b>电气参数 ELECTRIC RATINGS</b>		
1	额定电压 Rated Voltage	kV 12
2	雷电冲击耐受电压 Lightning impulse withstand voltage	kV 75
3	额定短时(1分钟)工频耐受电压 Rated short-time(1min) power-frequency withstand voltage	kV 42
4	额定频率 Rated Frequency	Hz 50
5	额定电流 Rated Current	A 1250
6	额定短时耐受电流 Rated short-time withstand current	kA 25
7	额定短路持续时间 Rated duration of short-circuit	S 4
8	额定峰值耐受电流(在额定触头压力下) Rated peak withstand current	kA 63
9	额定短路关合电流 Rated short-circuit making Current	kA 63
10	额定短路开断电流 Rated short-circuit breaking Current	kA 25
11	最大直流分量 Max.Dc component	50%
12	额定短路开断电流开断次数 Breaking operations of rated short circuit breaking current	Times 30
13	额定单个电容器组开断电流 Rated Single Capacitor Bank Breaking Current	A 400※
14	额定背对背电容器组开断电流 Rated Back-to-back Capacitor Bank Breaking Current	A 400※
15	机械寿命 Mechanical endurance	Times 30,000
16	触头开距 Clearance between open contacts	mm 9±1
17	触头自闭力 Closing force due to bellow and atmosphere	N 130±40
18	触头反力 Counterforce of Contacts at Full Stroke	N 190±40
19	额定触头压力下限时的回路电阻 Circuit resistance at lowest rated contact force	μΩ ≤25
20	触头允许磨损厚度 Contacts limit erosion	mm 3
21	内部气体压力 Internal Gas Pressure	Pa ≤1.33×10 <sup>-3</sup>
22	储存时间 Storage life	years 20
23	局部放电量(13.2KV) Magnitude Of Partial Discharge(13.2KV)	pC ≤2
24	波纹管防扭扭矩 Torsionproof Moment Of Bellows	N.m ≤50
25	额定操作顺序 Rated operating sequence	O--0.3s--CO--180s--CO
<b>配套的真空开关设备应满足的机械参数</b> <b>MECHANICAL DATA OF VACUUM SWITCH EQUIPPED WITH THE INTERRUPTERS</b>		
1	平均分闸速度(在起始75%开距时) Average opening speed(average of first 75% of contact gap)	m/s 1.1±0.2
2	平均合闸速度(在最终30%开距时) Average closing speed(average of last 30% of contact gap)	m/s 0.6±0.2
3	触头合闸弹跳时间 Contact bouncing duration at closing operation	ms ≤2
4	触头合闸和分闸不同期 Closing and Opening non-simultaneity of three-phase Contacts	ms ≤2
5	超行程 Overtravel	mm 3
6	额定触头压力 Rated added external contact final force	N 2000 <sup>+300</sup> <sub>0</sub>
7	分闸触头反弹幅值 Maximum Rebound during opening	mm ≤2